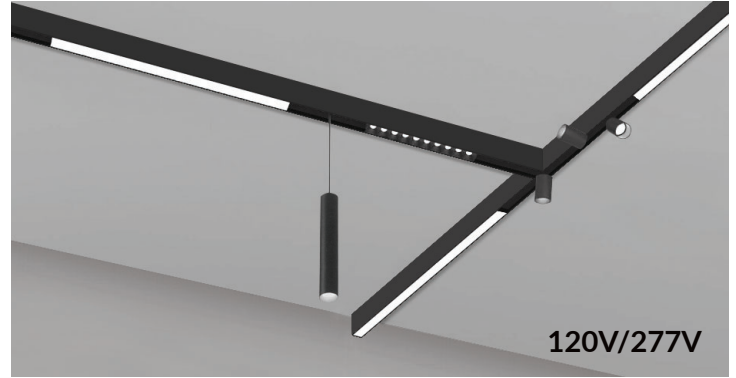
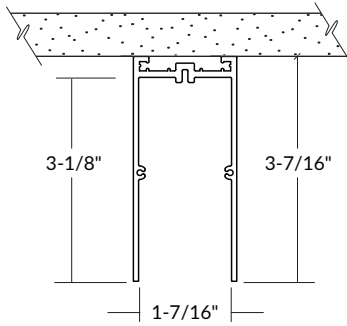


# MCTSRF : 1.5" SURFACE MODULAR AC SLOT

The 1.5" **Line voltage AC** surface mounted slot system designed to fit together like building blocks. The system is perfect for minimalist spaces with a variety of lighting elements. Linear and multi-celled modules provide general ambient and task lighting, where spot lights, pendants and color-changing RGB+W modules provide accent lighting to create drama within any space. LED modules available to achieve spotlighting or general downlighting.



## SLOT ORDERING – Example: MCTSRF-48B-RMT-TR



### MCTSSRF

Mounting Track	Length	Finish	Power Feed Method
Length		Finish	
2' Slot	<b>-24</b>	Black	<b>B</b>
4' Slot	<b>-48</b>	White	<b>W</b>
6' Slot	<b>-72</b>	Custom	<b>CSTM<sup>1</sup></b>
8' Slot	<b>-96</b>		

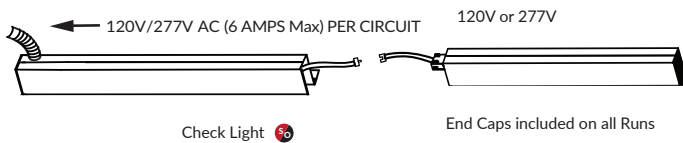
## POWER FEED (Explained)

### On-Board Integral

Initial Starter Slot.  
 120V/277V feed allows for below ceiling access.

### Adjacent Slot

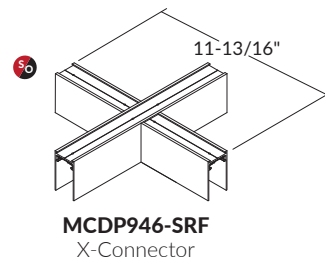
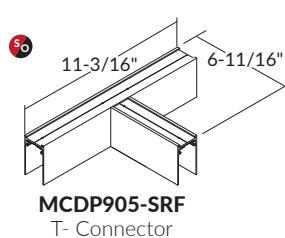
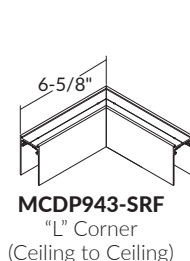
Intermediate Slot.  
 Includes connector to attach adjacent slot. (Mechanical hardware to connect to previous run is included.)



2024.01.22

## AVAILABLE CORNERS/CONNECTORS

Corners are available for 90° turns in the same plane or transitioning from ceiling to wall. Corners feed a module in both directions without the need of new power feed.



<sup>1</sup>Contact factory.

Special order item. Extended lead time.

## SPECIFICATION

### Applications

Minimalistic architectural extruded AC lighting channel mounts to ceiling or wall surfaces. Can be equipped with a wide range of LED modules.

Designed for low to medium ceiling heights in retail, hospitality, commercial and high-end residential applications that benefit from zero sight line linearity and symmetry in modern interior lighting designs.

### Extrusion Housing

Surface inserted during post-construction of ceiling/wall.

### Mounting

Mounts directly to ceiling and wall surfaces.

### Accessories

All extrusions shipped with specified power feed connector, extruded conductor cover. Corners and other accessories not included.

### LED Details

Color Temperature - OSRAM or Cree® LEDs binned to 3-step MacAdam ellipses within the ANSI C78 377A standard for color temperature and chromaticity ranges light binning allowance. 90 CRI standard. Lumen Maintenance - Minimum 50,000 hours L70 life based on ANSI TM-21 calculations from LM80 standardized test results

### Power

Line voltage busway with integral junction box for entry with either (1) 1/2" K.O and/or (1) Romex opening. Available with 2-circuit operation. Consult factory.

### Thermal Management

Effective thermal dissipation facilitated by integral extruded aluminum heat sink design for maximum heat rejection to provide long LED life.

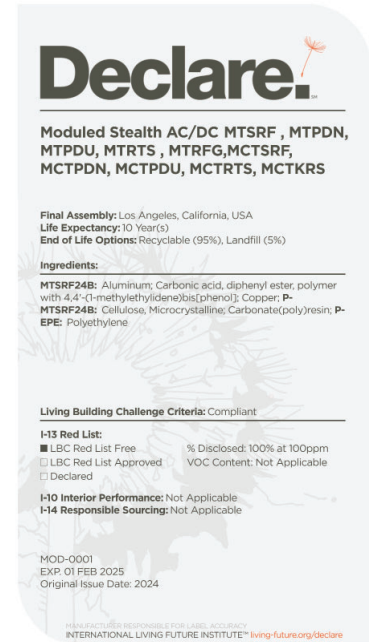
### Certifications and Listings

ETL/cETL listed to UL1598 and UL8750. Suitable for dry and damp locations. NYC approved: Calendar #41937. MM2, MM2D, and MM2P modules are California Title 24/JA8 approved. Declare Listed and Red List Free.



ModuLED Stealth carries the Declare Label identifying our Stealth track system as Red List Free per review by the International Living Future Institute acknowledging sustainable and transparent manufacturing practices. This certification reports on the ecological impact the product will have over its lifecycle as well as end of life taking into account materials, shipping, and recyclability

For further information, please visit:



### Caution

Power supply must be grounded in accordance with national, state and/or local electrical codes. Failure to do so may result in serious personal injury.

### Warranty





Covered by a 5 Year Warranty to be free of defects in materials and craftsmanship. Recommended for applications where ambient temperatures do not exceed 35°C. Installations exceeding this temperature will result in reduced LED lamp life and a voided warranty.

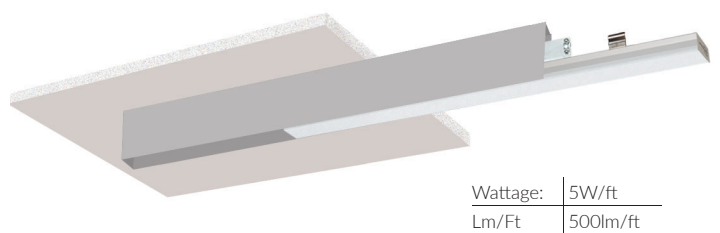
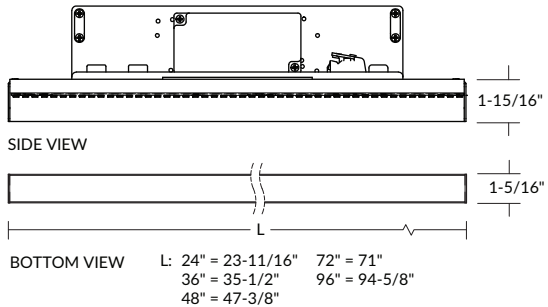
Cree® is a registered trademark of Cree, Inc.

## ILLUMINATED MODULES:

### MC1 Linear Diffused (Static White)





Ordering Example: MC124B-T27UE-D10

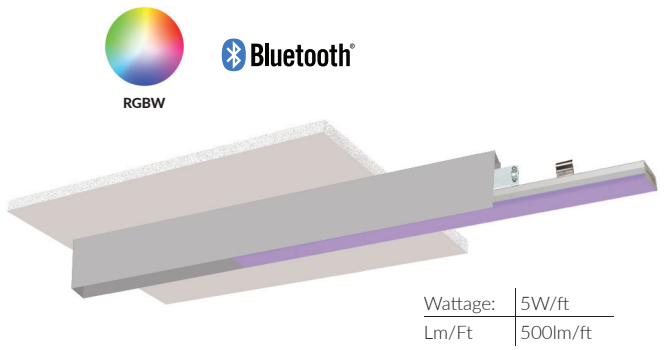
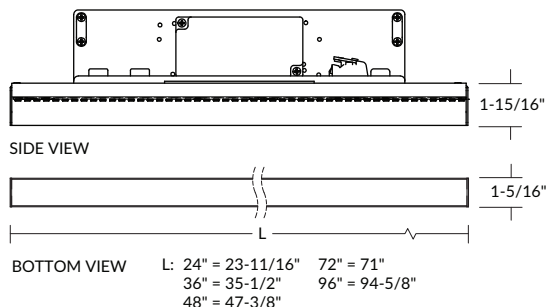
<ul style="list-style-type: none"> <li>Pixel free illumination</li> <li>Two lumen options</li> <li>Warm dimming option</li> <li>1000lm-4000lm</li> </ul>	<b>Length</b>	<b>Finish</b>	<b>Driver</b>	<b>CCT</b>
	2' <b>MC124</b>	Black <b>B</b>	120V Phase Dimming <b>Blank</b>	2700K, 90 CRI <b>-T27</b>
	3' <b>MC136</b>	White <b>W</b> 	120V/277V 0-10V Dimming <b>UE-D10</b>	3000K, 90 CRI <b>-T30</b>
	4' <b>MC148</b> 		UniDim™ 120V/277V 0-10V ELV and Triac Dimming <b>UE-DUN</b>	3500K, 90 CRI <b>-T35</b>
	6' <b>MC172</b> 			4000K, 90 CRI <b>-T40</b>
	8' <b>MC196</b> 			



### MC1 Linear Diffused (RGB +W)

Ordering Example: MC124B-RGBW-BT

<ul style="list-style-type: none"> <li>Bluetooth or DMX compatability</li> <li>1 million plus colors available</li> <li>Achieve Pastel colors</li> </ul>	<b>Length</b>	<b>Finish</b>	<b>Dimming</b>
	2' <b>MC124</b>	Black <b>B</b>	Basic Bluetooth Control <b>-RGBW-BT</b>
	3' <b>MC136</b>	White <b>W</b> 	Hardwire PWM Dimming <b>-RGBW-PWM</b>
	4' <b>MC148</b> 		
	6' <b>MC172</b> 		
	8' <b>MC196</b> 		



 Special order item. Extended lead times apply.

## ILLUMINATED MODULES:

### MC2 Downlight Directed (Louvered)

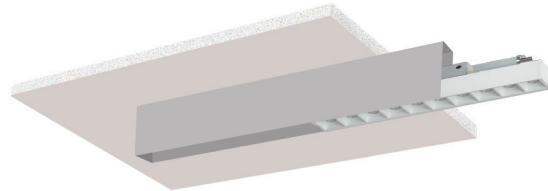
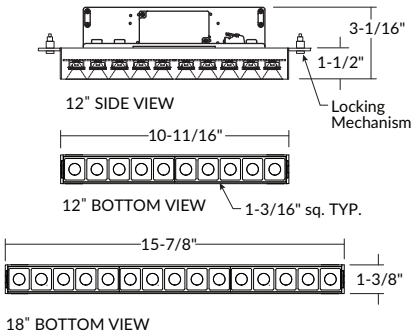
- Multiple beam spread options
- Glare free illumination
- Minimal 1" square

Length	
12", 2000lm (22W)	<b>MC212</b>
18", 3000lm (33W)	<b>MC218</b>
Finish	
Black	<b>B</b>
White	<b>W</b>

Driver	
120V Phase Dimming	<b>Blank</b>
120V/277V 0-10V Dimming	<b>UE-D10</b>
UniDim™ 120V/277V 0-10V ELV and Triac Dimming	<b>UE-DUN</b>

### Ordering Example: MC212B-B40-T30

Beam Spread		CCT	
15° Narrow Spot	<b>-B15</b>	2700K, 90 CRI	<b>-T27</b>
30° Flood	<b>-B30</b>	3000K, 90 CRI	<b>-T30</b>
40° Wide Flood	<b>-B40</b>	3500K, 90 CRI	<b>-T35</b>
		4000K, 90 CRI	<b>-T40</b>



### MC3 Adjustable Spot

- Regressed LED optic for low glare
- Fully Adjustable

Lumens	
1500lm (15W)	<b>MC315</b>
Finish	
Black	<b>B</b>
White	<b>W</b>

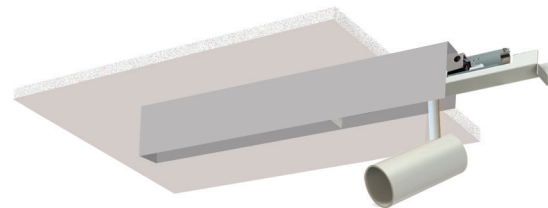
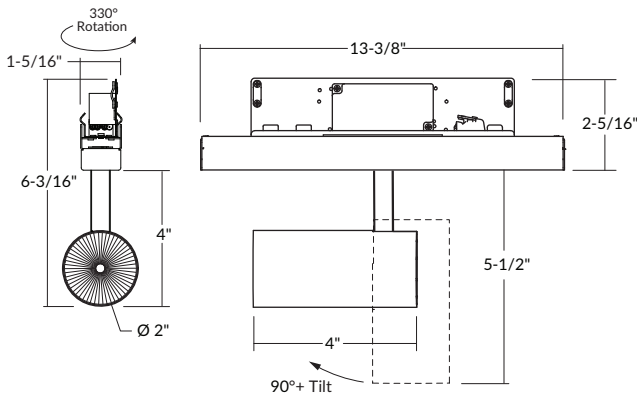
Driver	
120V Phase Dimming	<b>Blank</b>
120V/277V 0-10V Dimming	<b>UE-D10</b>
UniDim™ 120V/277V 0-10V ELV and Triac Dimming	<b>UE-DUN</b>

CCT	
2700K, 90 CRI	<b>-T27</b>
3000K, 90 CRI	<b>-T30</b>
3500K, 90 CRI	<b>-T35</b>
4000K, 90 CRI	<b>-T40</b>

### Ordering Example: MM315B-B20-T27-LVR

Beam Spread	
10° Narrow Spot	<b>-B10</b>
20° Spot	<b>-B20</b>
40° Flood	<b>-B40</b>
40° x 70° Asymmetric	<b>-B4070</b>

Options	
Louver	<b>-LVR</b>
Soft Focus Lens	<b>-SFL</b>
Red Filter	<b>-ML39</b>
Yellow Filter	<b>-ML40</b>
Blue Filter	<b>-ML41</b>
Amber Filter	<b>-ML42</b>
Green Filter	<b>-ML43</b>



## ILLUMINATED MODULES:

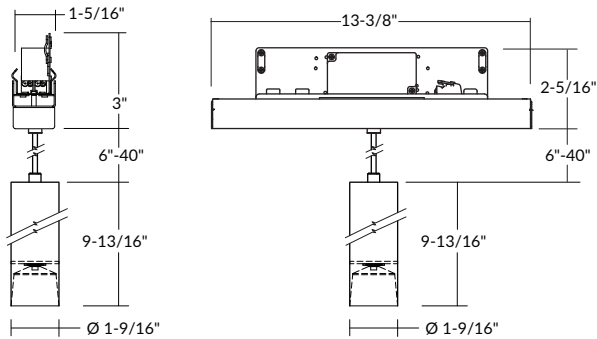
### MC4 Pendant Spot

Ordering Example: MC407B-B20-T27

- Adjustable metallic cord
- Regressed LED for low glare

Lumens	Driver	Beam Spread	CCT
650lm (7W) <b>MC407</b>	120V Phase Dimming	10° Narrow Spot <b>-B10</b>	2700K, 90 CRI <b>-T27</b>
1400lm (13W) <b>MC413</b>	120V/277V 0-10V Dimming	20° Spot <b>-B20</b>	3000K, 90 CRI <b>-T30</b>
	UniDim™ 120V/277V 0-10V ELV and Triac Dimming	40° Flood <b>-B40</b>	3500K, 90 CRI <b>-T35</b>
			4000K, 90 CRI <b>-T40</b>

Finish	
Black	<b>B</b>
White	<b>W</b>

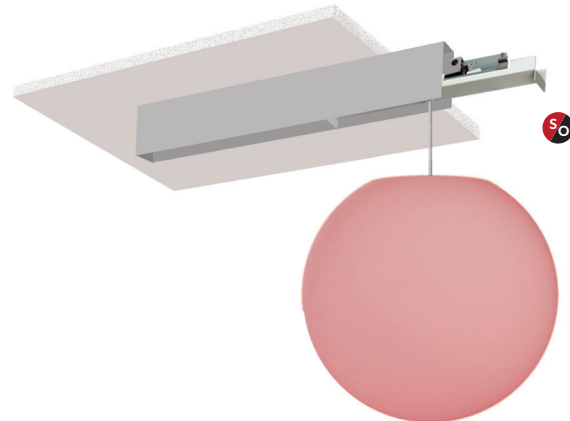
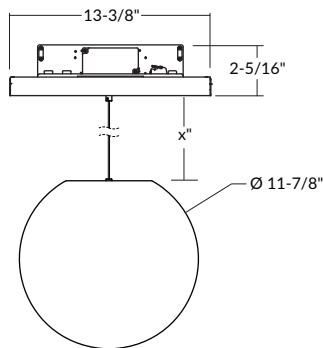


### MC6BL Frosted Globe (RGB +W)

Ordering Example: MC6BL-RGBW-BT

- Bluetooth or DMX compatibility
- 1 million plus colors available
- Achieve Pastel colors

Size	Dimming
12" Dia. <b>MC6BL</b>	Basic Bluetooth Control <b>-RGBW-BT</b>
	Hardwire PWM Dimming <b>-RGBW-PWM</b>



NOTE: MC6BL Frosted Globe is not compatible with DALI.

Special order item. Extended lead time.

## ILLUMINATED MODULES

### MC6PD LumenPad Pendant

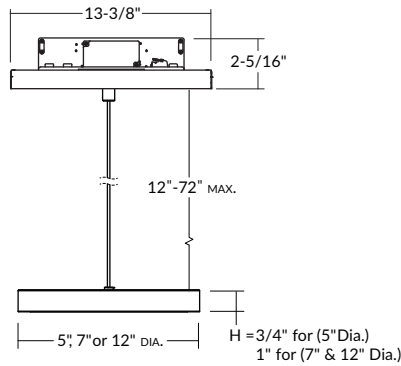
Ordering Example: MC6PD12W-24-T27

- 90 CRI Color Rendering
- Polycarbonate Frosted White Lens

Fixture	Size (DIA.)
LumenPad Pendant <b>MC6PD</b>	5", 1000lm (11W) <b>05</b>
	7", 1300lm (14W) <b>07</b>
	12", 2000lm (22W) <b>12</b>
	18" 2900lm (42W) <b>18</b>

Finish	Driver
Black <b>B</b>	120V Phase Dimming <b>Blank</b>
White <b>W</b>	120V/277V 0-10V Dimming <b>UE-D10</b>

Cord Length	CCT
12" <b>-12</b>	2700K, 90 CRI <b>-T27</b>
24" <b>-24</b>	3000K, 90 CRI <b>-T30</b>
36" <b>-36</b>	3500K, 90 CRI <b>-T35</b>
48" <b>-48</b>	4000K, 90 CRI <b>-T40</b>
60" <b>-60</b>	
72" <b>-72</b>	



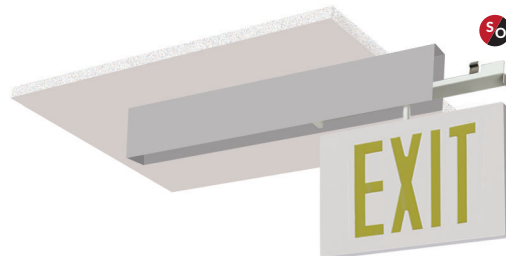
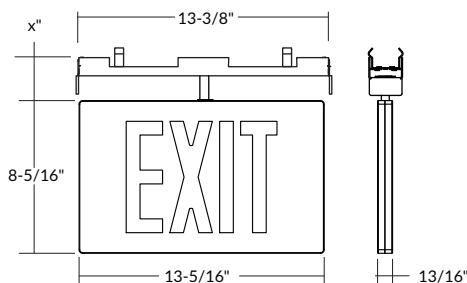
### MCEXT Exit Signage

Ordering Example: MCEXT00-1B

- Maintenance free
- No lamps or batteries
- No wiring needed
- 25-year life expectancy

Fixture	Length
Self-Luminescent Exit Sign <b>MCEXT</b>	No Stem <b>00</b>
	12" Stem <b>12"</b>
	24" Stem <b>24"</b>
	36" Stem <b>36"</b>
	48" Stem <b>48"</b>

Single/Double	Finish
Single Side <b>-1</b>	Black <b>B</b>
Double Sided <b>-2</b>	White <b>W</b>



Special order item. Extended lead time.