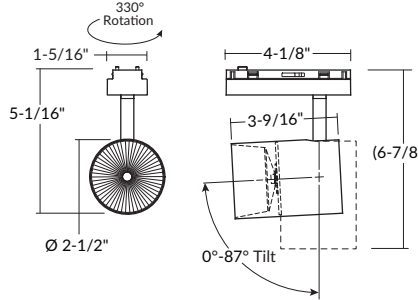
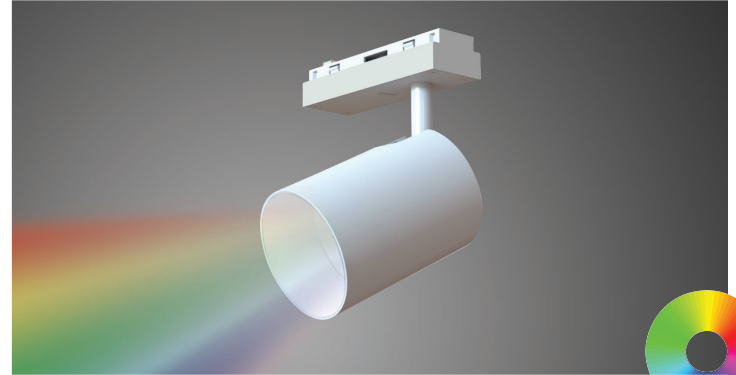


MM315 : ADJUSTABLE SPOT ILLUMINATED MODULE 2.5" DIA. (RGB+W)

- Regressed LED optic for low glare
- Field interchangeable optics
- RGB+W for a large color palette
- Fully Adjustable



The ModuLED MM315 (RGB+W) features a twist-and-lock LED adjustable spot head that can be used for amazing design flexibility. Options for beam spread, and mounting, allow designers to specify a system that can be tailored to exact demands. The RGB+W module allows you to create clean, beautiful colors from deep blue to pastels and any shade in between.



 Bluetooth®

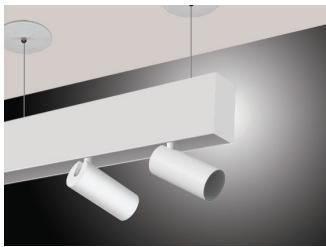
Ordering Example: MM315B-B20-RGBW-BT

MM315B

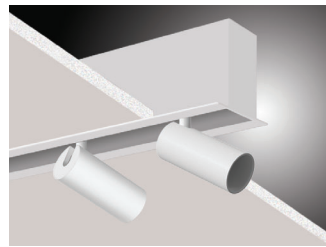
Finish Finish Beam Dimming
 Spread

| Finish | | Beam Spread | | Dimming | |
|--------|---------------|----------------------|---------------|-------------------------|------------------|
| Black | MM315B | 10° Narrow Spot | -B10 | Basic Bluetooth Control | -RGBW-BT |
| White | MM315W | 20° Spot | -B20 | Hardwire PWM Dimming | -RGBW-PWM |
| | | 40° Flood | -B40 | | |
| | | 30° x 60° Asymmetric | -B3060 | | |

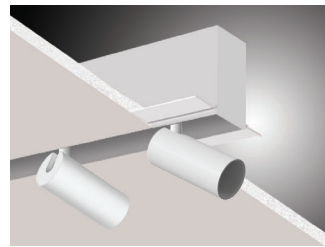
COMPATIBLE MOUNTING & POWER SUPPLIES¹



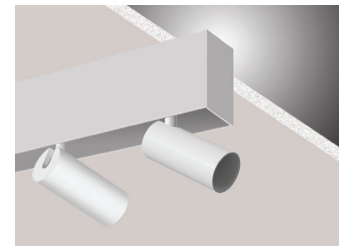
MTPDN
 1.5" Pendant
 Modular Track
moduled.io/MTPDN



MTRFG
 1.5" Recessed Flanged
 Modular Track
moduled.io/MTRFG



MTRTS
 1.5" Recessed Trimless
 Modular Track
moduled.io/MTRTS



MTSRF
 1.5" Surface
 Modular Track
moduled.io/MTSRF

¹Refer to Modular Track Specification Sheets for more complete information.

SPECIFICATION

Applications

The ModuLED MM315 (RGB+W) features twist-and-lock LED adjustable spot heads that can be used for amazing design flexibility. Options for beam spread, and mounting, can be tailored to the exact demands of a variety of different architectural spaces. Fully controllable via DMX or Bluetooth, the RGBW module allows you to create clean, beautiful colors from deep blue to pastels and any shade in between. Perfect for areas where a touch of color can set mood, enhance an environment or establish a corporate color..

Housing

Extruded aluminum cylinder attaches to extruded aluminum gimbal mounted on driver. Spotlight tilts 0° to 87° and rotates 330° on gimbal. Finished in black or white high quality powder coat finish for maximum durability.

Reflector

COB (Chip on Board) LED with total internal reflection (TIR) acrylic lens.

Mounting

Illuminated Module fits into Pendant (MTPDN), Recessed Flanged (MTRFG), Recessed Trimless (MTRTS) and Surface (MTRSF) modular track systems.

LED Details

Color Temperature - RGB LED die colors: Red (620-635nm), Green (520-535nm), Blue (450-465nm), and Neutral White (3000K).

Lumen Maintenance - Minimum 50,000 hours L70 life based on ANSI TM-21 calculations from LM80 standardized test results.

LED - The luminaire has a standard COB with a maximum light output of 120lm (12W).

Electrical Components

Thermal Management - Effective thermal management facilitated by integral extruded aluminum heat sink design for maximum heat dissipation to provide long LED life.

Driver - Highly efficient 24V DC with a power factor up to 0.99. 120V/277V AC for any residential or commercial applications.

Dimming Options - Basic Bluetooth control (-RGBW-BT) via wireless. Call up standard colors or shows. One Bluetooth enabler per zone. Superior hardwire Pulse Width Modulation dimming technology (-RGBW-PWM) compatible with many models of Triac, ELV, and 0-10V forward and reverse phase dimmers, and on/off switches. All models under 24V/96W are Class 2 compliant, making them safe and inspection-ready. They are derated, which means they can be loaded to maximum wattage capacity, with a minimum load of only 10%.

Certifications and Listings

ETL/cETL listed to UL1598 and UL8750. Suitable for dry and damp locations. NYC approved: Calendar #41937.

Warranty

Covered by a 5-Year Warranty to be free of defects in materials and craftsmanship. Recommended for applications where ambient temperatures do not exceed 35°C. Installations exceeding this temperature will result in reduced LED lamp life and a voided warranty.