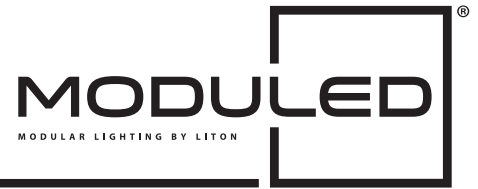


INSTRUCTIONS FOR STEALTH AC SURFACE MCTSRF



Overview and dimensions

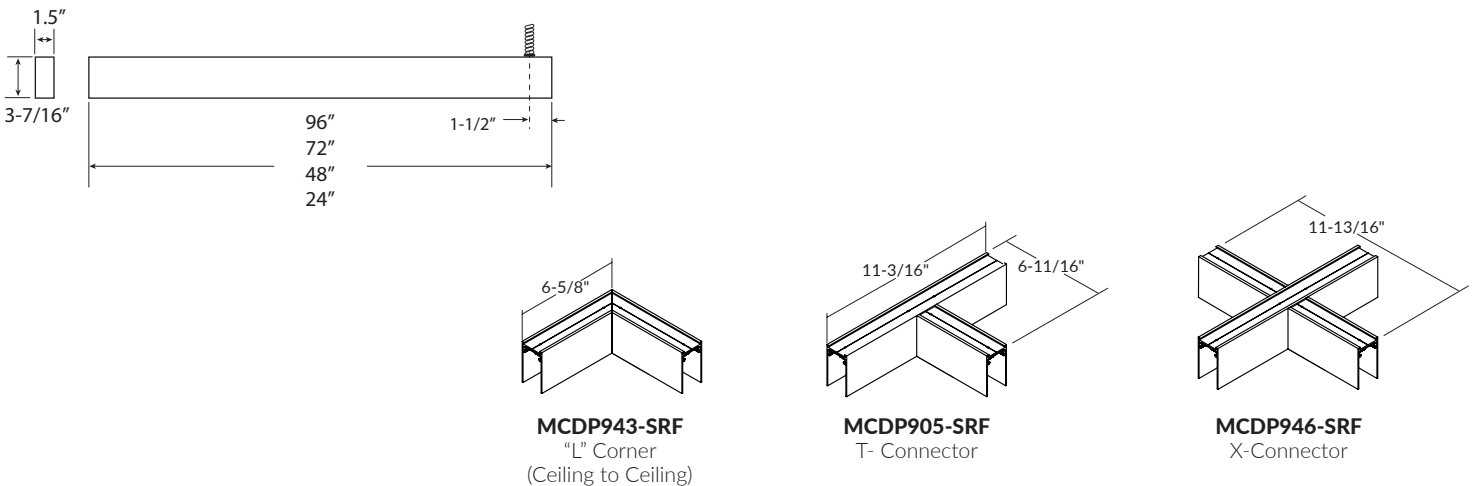
WARNING Risk of fire or electric shock. Only qualified, licensed electricians should install.

1. Read and review all instructions and diagrams prior to installation.
2. Disconnect power prior to installation. Turn off circuit breaker or remove fuse from fuse panel. (Turning off the light switch is insufficient to safeguard against electric shock.)
3. Electrical connections must conform to local codes and ordinances, or the National Electrical Code.
4. Wire the luminaire following the wiring diagram on the driver, or inside the box. Use UL listed wire connectors suitable for the size, type, and number of conductors. No loose strands or wires should be present. Secure wire connectors with UL listed electrical tape and wire nuts.
5. Restore electricity and test fixture.

NOTE: These safeguards and instructions are not intended to cover all possible conditions and circumstances.

NOTE:

1. Max current linkable per loop 6 AMPS.
2. See installation instructions for PowerPlug Disconnect for wire requirements to fixture.
3. Tracks can be continuously linkable without limitation and can divide into sections for separate circuits.



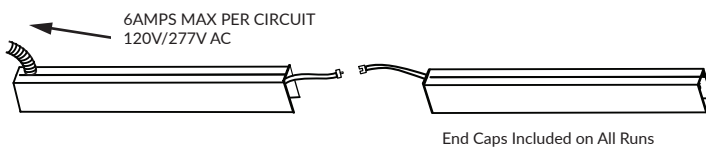
POWER FEED (Explained)

On-Board Integral

Initial Starter Slot.
120V/277V feed allows for below ceiling access.

Adjacent Slot

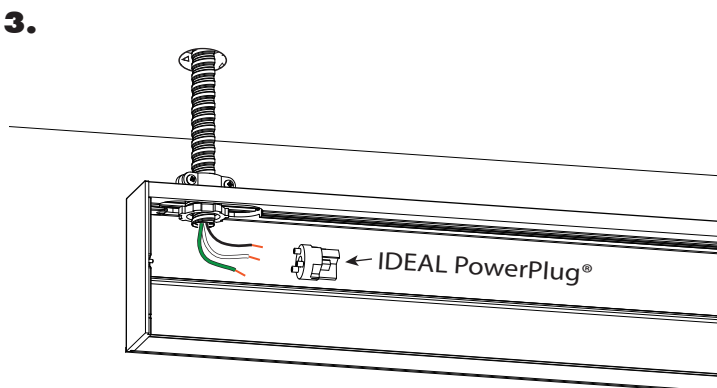
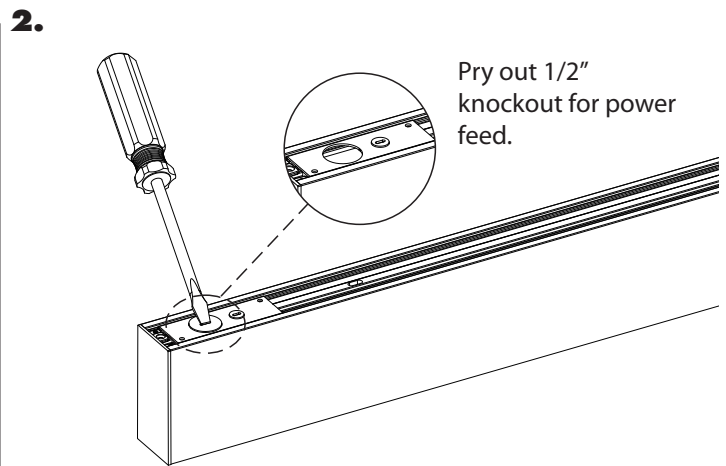
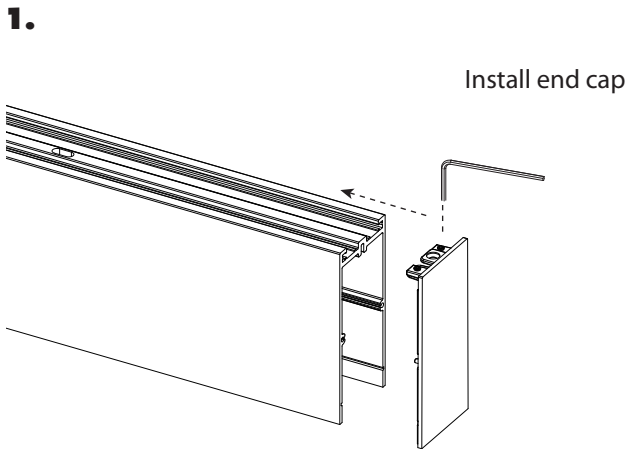
Intermediate Slot.
Includes connector to attach adjacent slot. (Mechanical hardware to connect to previous run is included.)



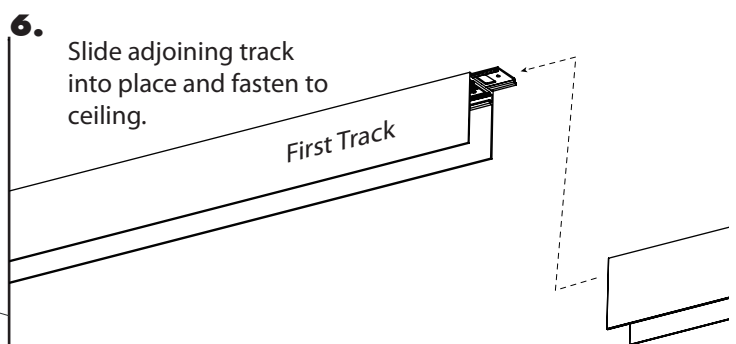
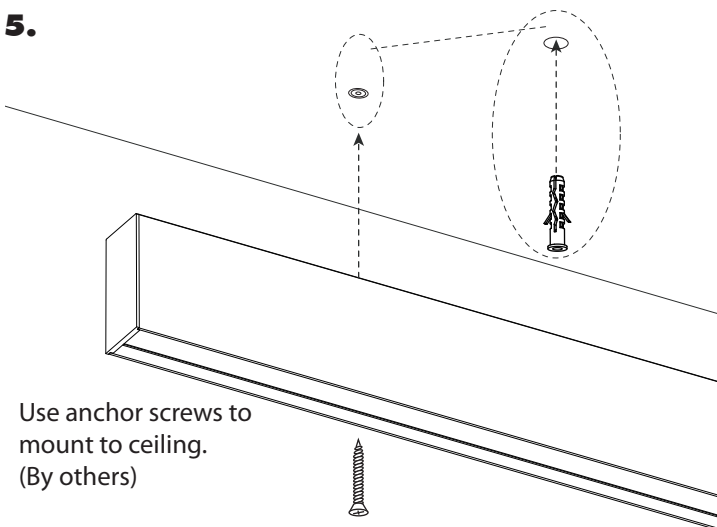
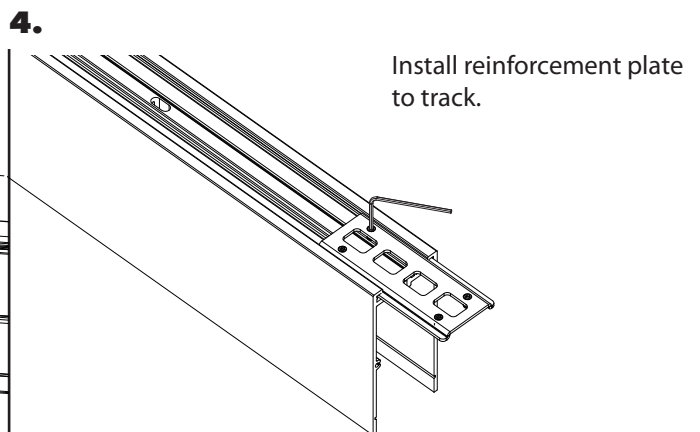
INSTRUCTIONS FOR STEALTH AC SURFACE MCTSRF

MODUL8D
MODULAR LIGHTING BY LITON

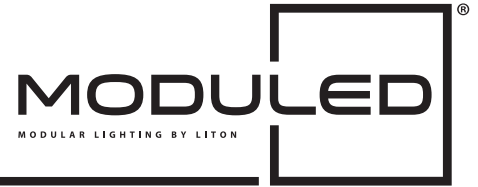
Prepare for mounting



Attach conduit with hardware for 1/2" knockout by others, use appropriate wire for inserting into the provided IDEAL PowerPlug®. (See separate page for instructions)

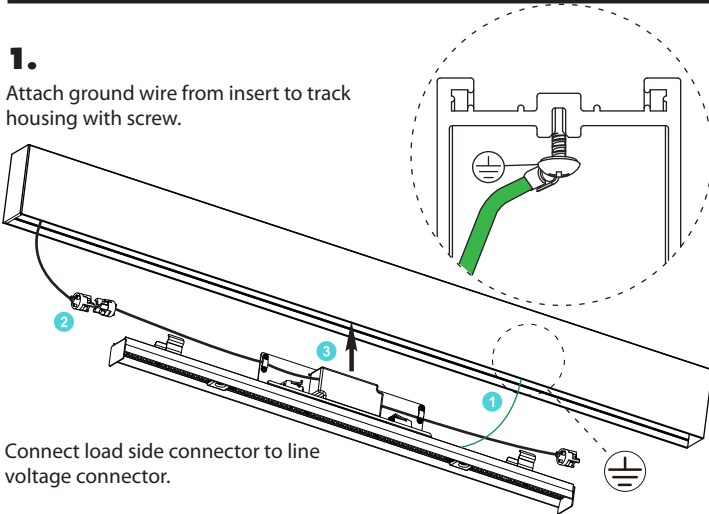


INSTRUCTIONS FOR STEALTH AC INSERT



Installing lights into track

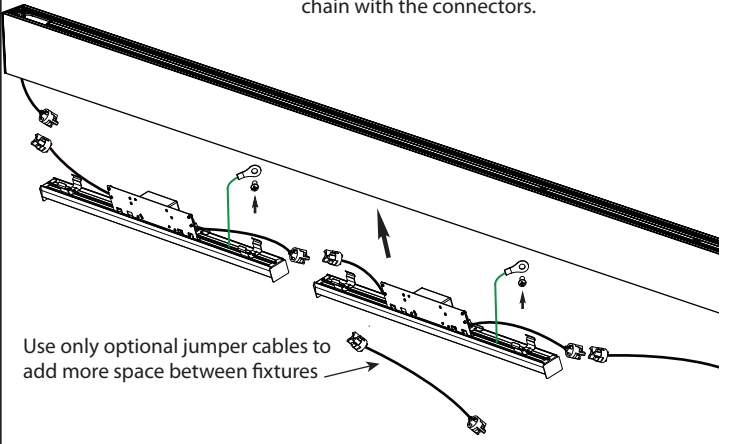
1.
Attach ground wire from insert to track housing with screw.



Connect load side connector to line voltage connector.

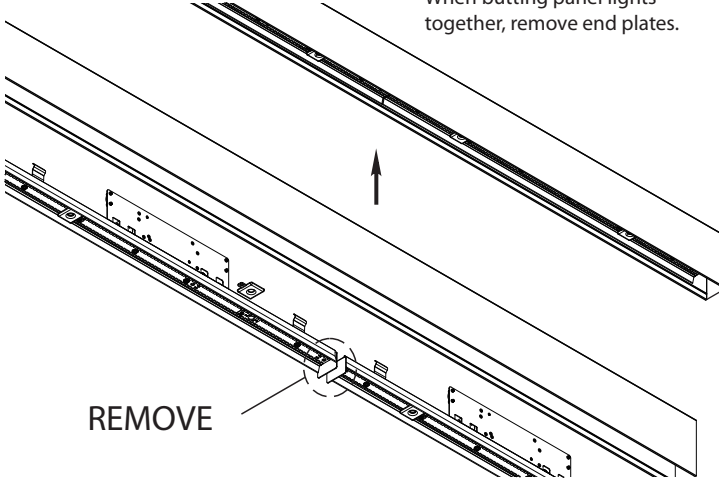
Carefully insert panel light into track without pinching wires.

2.
Ground all additional inserts to track and daisy chain with the connectors.

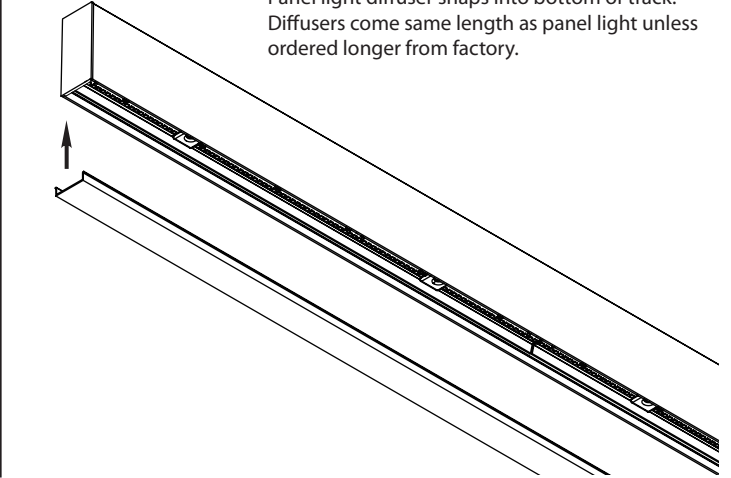


Use only optional jumper cables to add more space between fixtures

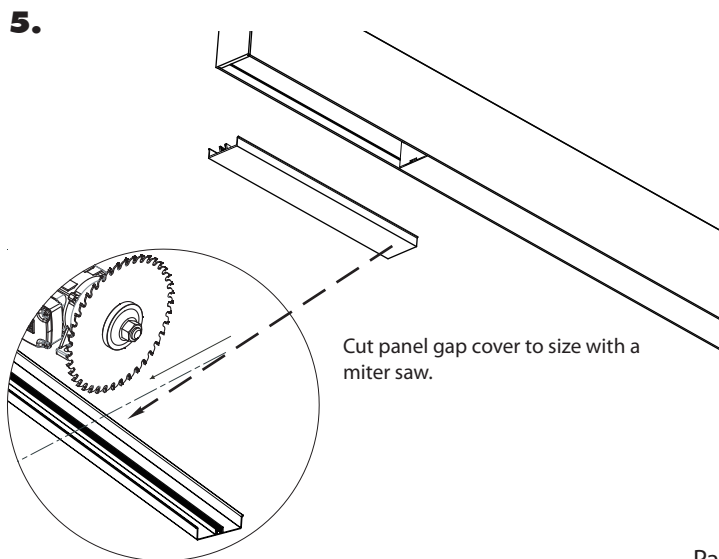
3.
When butting panel lights together, remove end plates.



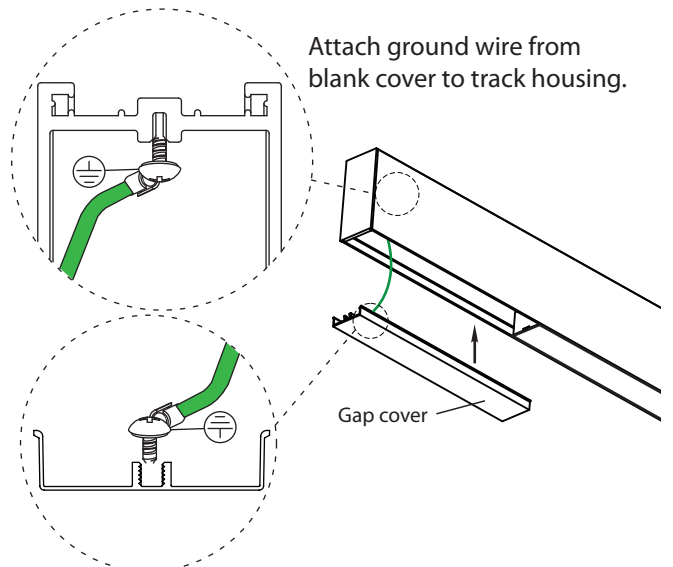
4.
Panel light diffuser snaps into bottom of track. Diffusers come same length as panel light unless ordered longer from factory.



5.
Cut panel gap cover to size with a miter saw.



Attach ground wire from blank cover to track housing.



INSTRUCTIONS FOR STEALTH AC INSERT

Down light, Spot and Pendant Inserts



1.
Attach ground wire from insert to track housing with screw.

Connect load side connector to line voltage connector.

Carefully insert into track without pinching wires.

2.
Ground all additional inserts to track and daisy chain with the connectors.

Use only optional jumper cables to add more space between fixtures

3.

To remove a down light module, use screw driver to slide pull down tab from end of module.

4.

Cut panel gap cover to size with a miter saw.

5.
Attach ground wire from blank cover to track housing.

Gap cover

6.

For pendant inserts with locking screws, use screw driver to lock in place.